

Packaging

Descriptions



Steel Reel

Long lengths of cable are placed onto Steel Reels. An advantage of this reel is that it is environmentally-friendly and recycled for years of service.



BrakeBox® Dual Brake System

This package is dual purpose. In this design the cable is placed onto a plastic spool, which is placed into a box. The brake allows for back-tension and over-spin control. The spool may be taken from the box for installation or may be left in the box where the cable pays out through a slotted opening.



Wood/Plywood Reel

Reels may be made of plywood or wood. Superior Essex wooden reels can be recycled an average of five times before retirement (see Web site for further details).



POP™ Box

In this package, the cable is coiled into a box. The product pays out through a tube opening in the box. This design does not allow for the cable to be removed as a unit from the box.



Spool

Wire is wound onto a spool. The spool is placed inside a box for protection during shipment. Spools are smaller than wood or steel reels.



Reel-in-a-Box

This package is dual purpose. In this design the cable is placed onto a plastic spool, which is placed into a box. The spool may be taken from the box for installation or may be left in the box where the cable pays out through a slotted opening.



Parallel Cone

This package is designed to fit into the General Machine Products (GMP) cast aluminum wire dispensing system (GMP units 80470 or 80471). When placed onto the GMP dispenser, the jumper or distribution frame wire pays out smoothly. GMP dispensers are most common in central offices.



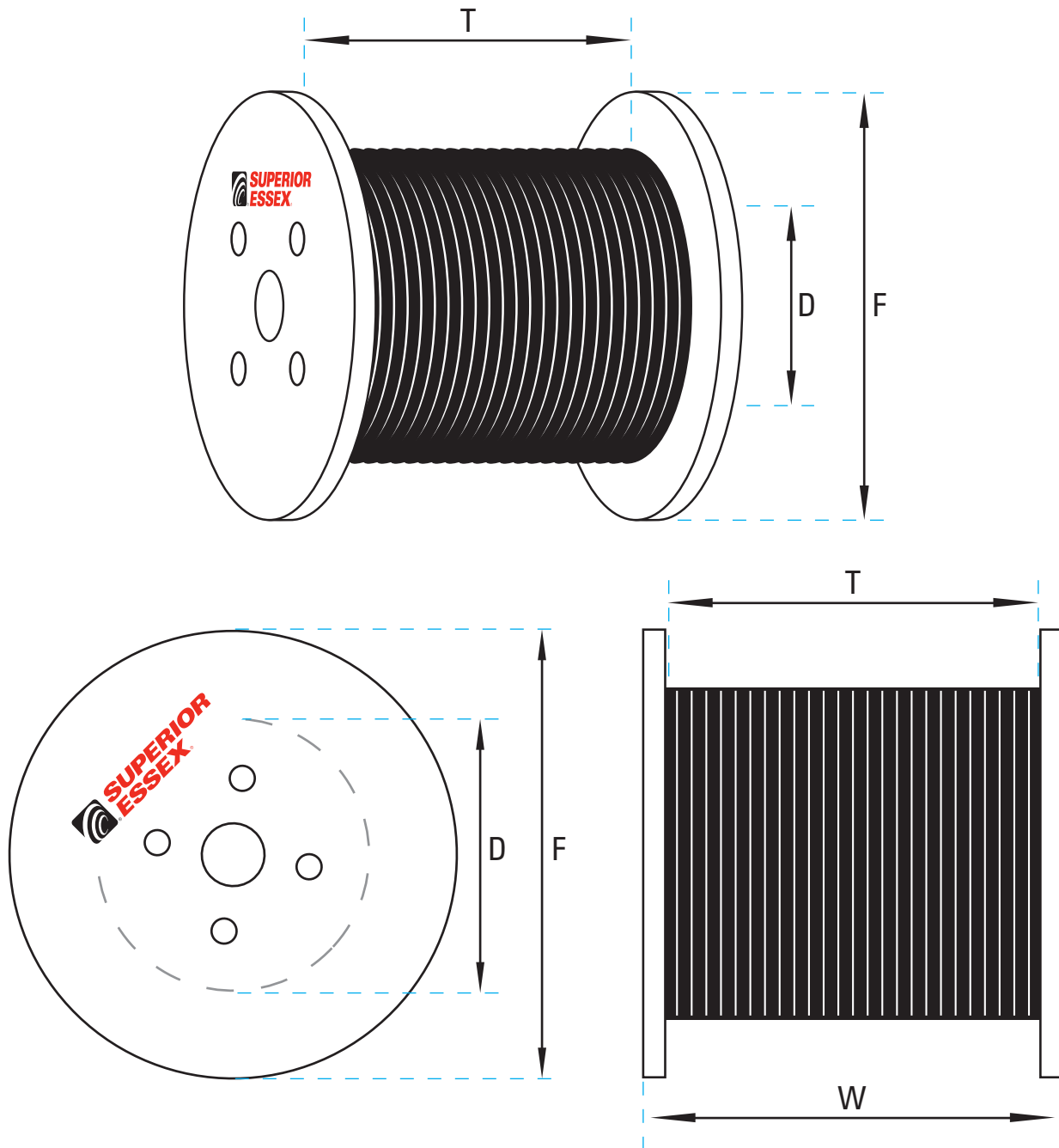
Knock-out Box

Cable is coiled and fastened within a box. Knock out boxes can be identified by a perforated "knock-out" that is removed, allowing access to the cable.



Coils

Coils refer to lengths of cable wrapped into a shape (usually a circle) and fastened with multiple ties. Multiple coils may be placed inside a box for shipping or shipped on a pallet, and then secured by stretch-wrap. Coils are always fastened with ties. Coils can be custom configured to fit a customer's unique cable and wire feeding systems.



**Flange x Traverse x Drum
(F x T x D)**

F = Flange Diameter

T = Traverse (inside width between flanges)

D = Drum Diameter

W = Overall Width (includes flanges)

Packaging

Premises Fiber Reels

PREMISES COPPER
 PREMISES FIBER
 OSP FIBER
 OSP COMPOSITE
 CENTRAL OFFICE COPPER
 RDU/P/RUS OSP COPPER
 BELL OSP COPPER
 OSP COPPER WIRE
 CANADIAN OSP COPPER
 TECHNICAL INFO

Premises Fiber Reel Dimensions						
Reel Type	Plastic			Plywood		
Flange (F) in	12	12	14	16	24	30
Traverse (T) in	6	9	9	15	18	18
Drum (D) in	5	5	5	8	12	12
Overall Width (W) in	7.125	10.125	10.375	15.75	19.375	19.375
Reel Weight lbs	2	2	2	5	17	28
Premises Fiber Reel Capacities						
Cable Nominal Diameter in (mm)	Cable Length ft (m)			Cable Length ft (m)		
0.075 (1.91)	2,561 (781)	3,856 (1,175)	7,319 (2,231)	12,836 (3,912)		
0.100 (2.54)	1,441 (439)	2,169 (661)	4,172 (1,272)	7,434 (2,266)	28,571 (8,709)	
0.125 (3.18)	917 (280)	1,383 (422)	2,665 (812)	4,753 (1,449)	18,270 (5,569)	37,970 (11,573)
0.150 (3.81)	637 (194)	961 (293)	1,749 (533)	3,198 (975)	12,283 (3,744)	25,836 (7,875)
0.175 (4.45)	429 (131)	646 (197)	1,321 (403)	2,314 (705)	8,874 (2,705)	19,346 (5,897)
0.200 (5.08)	329 (100)	495 (151)	982 (299)	1,853 (565)	7,123 (2,171)	14,802 (4,512)
0.225 (5.72)	247 (75)	374 (114)	807 (246)	1,290 (393)	5,318 (1,621)	11,630 (3,545)
0.250 (6.35)	227 (69)	343 (105)	661 (202)	1,183 (361)	4,551 (1,387)	9,459 (2,883)
0.275 (6.99)	169 (51)**	255 (77)**	539 (164)**	934 (285)	3,584 (1,093)	7,623 (2,323)
0.300 (7.62)	157 (47)**	238 (72)**	434 (132)**	723 (220)	3,058 (932)	6,433 (1,961)
0.325 (8.26)	112 (34)**	170 (51)**	344 (104)**	678 (207)	2,604 (794)	5,396 (1,645)
0.350 (8.89)	105 (32)**	160 (48)**	327 (99)**	513 (156)	2,208 (673)	4,813 (1,467)
0.375 (9.53)	100 (30)**	151 (46)**	254 (77)**	485 (148)	1,861 (567)	3,987 (1,215)
0.400 (10.16)	67 (20)**	101 (30)**	242 (73)**	460 (140)	1,770 (540)	3,537 (1,078)
0.425 (10.80)	64 (19)**	96 (29)**	183 (55)**	336 (102)**	1,482 (452)	3,131 (954)
0.450 (11.43)	61 (18)**	92 (28)**	176 (53)**	320 (97)**	1,226 (374)	2,763 (842)
0.475 (12.07)	58 (17)**	88 (26)**	169 (51)**	306 (93)**	1,175 (358)	2,428 (740)
0.500 (12.70)	56 (17)**	85 (25)**	163 (49)**	293 (89)**	1,130 (344)	2,348 (716)
0.525 (13.34)	*	*	*	200 (60)**	922 (281)	2,056 (627)
0.550 (13.97)	*	*	*	193 (58)**	889 (271)	1,789 (545)
0.575 (14.61)	*	*	*	186 (56)**	710 (216)	1,737 (530)
0.600 (15.24)	*	*	*	179 (54)**	687 (209)	1,501 (458)
0.625 (15.88)	*	*	*	173 (52)**	665 (203)	1,461 (445)
0.650 (16.51)	*	*	*	168 (51)**	645 (196)**	1,251 (381)**
0.675 (17.15)	*	*	*	*	500 (152)**	1,220 (371)**
0.700 (17.78)	*	*	*	*	486 (148)**	1,191 (363)**
0.725 (18.42)	*	*	*	*	473 (144)**	1,009 (307)**
0.750 (19.05)	*	*	*	*	460 (140)**	986 (300)**
0.775 (19.69)	*	*	*	*	449 (136)**	965 (294)**
0.800 (20.32)	*	*	*	*	438 (133)**	805 (245)**
0.825 (20.96)	*	*	*	*	324 (98)**	789 (240)**
0.850 (21.59)	*	*	*	*	317 (96)**	773 (235)**
0.875 (22.23)	*	*	*	*	309 (94)**	759 (231)**
0.900 (22.86)	*	*	*	*	303 (92)**	621 (189)**
0.925 (23.50)	*	*	*	*	296 (90)**	610 (185)**
0.950 (24.13)	*	*	*	*	290 (88)**	599 (182)**
0.975 (24.77)	*	*	*	*	284 (86)**	589 (179)**
1.000 (25.40)	*	*	*	*	279 (85)**	579 (176)**

*Drum diameter is less than 10 times cable diameter (minimum bend radius). **Drum diameter is less than 20 times cable diameter (recommended bend radius). This chart pertains to round cable only, and may be further limited by the design of the cable.

OSP Fiber Wood Reel Dimensions							
Flange (F) in	30	36	48	60	72	84	96
Traverse (T) in	18	30	32	36	36	42	42
Drum (D) in	12	17	23	29.5	37.5	42	48
Overall Width (W) in	20	32	34	39	39	45	45
Reel Weight lbs	59	104	184	416	596	900	1,100

OSP Fiber Wood Reel Capacities							
Cable Nominal Diameter in (mm)	Cable Length ft (m)						
0.35 (8.89)	5,015 (1,529)	11,293 (3,442)	23,685 (7,219)	41,668 (12,700)			
0.40 (10.16)	3,686 (1,123)	8,411 (2,564)	17,893 (5,454)	32,687 (9,963)	46,454 (14,159)		
0.45 (11.43)	2,879 (878)	6,640 (2,024)	14,038 (4,279)	25,425 (7,750)	35,596 (10,850)		
0.50 (12.70)	2,447 (746)	5,667 (1,727)	11,578 (3,529)	20,477 (6,241)	29,187 (8,896)		
0.55 (13.97)	1,864 (568)	4,397 (1,340)	9,501 (2,896)	17,252 (5,259)	23,795 (7,253)	40,579 (12,369)	
0.60 (15.24)	1,564 (477)	3,726 (1,136)	7,728 (2,356)	14,487 (4,416)	20,240 (6,169)	33,839 (10,314)	45,134 (13,757)
0.65 (16.51)	1,304 (397)**	3,143 (958)	6,749 (2,057)	12,091 (3,685)	17,160 (5,230)	29,324 (8,938)	38,085 (11,608)
0.70 (17.78)	1,242 (378)**	2,635 (803)	5,889 (1,795)	10,003 (3,049)	14,469 (4,410)	25,357 (7,729)	33,321 (10,156)
0.75 (19.05)	1,028 (313)**	2,508 (764)	5,126 (1,562)	8,842 (2,695)	12,927 (3,940)	21,847 (6,659)	29,096 (8,869)
0.80 (20.32)	839 (255)**	2,089 (637)	4,445 (1,355)	7,806 (2,379)	11,549 (3,520)	18,723 (5,707)	25,327 (7,720)
0.85 (21.59)	806 (245)**	1,717 (523)	3,836 (1,169)	6,875 (2,095)	9,580 (2,920)	16,929 (5,160)	21,947 (6,689)
0.90 (22.86)	647 (197)**	1,647 (502)**	3,288 (1,002)	6,034 (1,839)	8,501 (2,591)	15,303 (4,664)	19,987 (6,092)
0.95 (24.13)	624 (190)**	1,333 (406)**	3,165 (965)	5,273 (1,607)	8,172 (2,491)	13,821 (4,213)	18,201 (5,548)
1.00 (25.40)	603 (183)**	1,284 (391)**	2,694 (821)	5,083 (1,549)	7,246 (2,208)	12,466 (3,800)	16,564 (5,049)
1.05 (26.67)	474 (144)**	1,240 (377)**	2,603 (793)	4,424 (1,348)	6,399 (1,951)	11,223 (3,421)	14,128 (4,306)
1.10 (27.94)	459 (139)**	983 (299)**	2,194 (669)	4,280 (1,305)	5,625 (1,714)	10,078 (3,072)	13,673 (4,168)
1.15 (29.21)	445 (135)**	951 (289)**	2,126 (648)	3,702 (1,128)	5,444 (1,659)	9,022 (2,750)	12,390 (3,777)
1.20 (30.48)	338 (103)**	922 (281)**	1,769 (539)**	3,591 (1,095)	4,762 (1,451)	8,048 (2,453)	11,202 (3,414)
1.25 (31.75)	*	895 (272)**	1,717 (523)**	3,081 (939)	4,621 (1,408)	7,818 (2,383)	10,100 (3,078)
1.30 (33.02)	*	688 (209)**	1,670 (509)**	2,995 (913)	4,016 (1,224)	6,948 (2,118)	9,075 (2,766)
1.35 (34.29)	*	669 (203)**	1,366 (416)**	2,542 (775)	3,905 (1,190)	6,764 (2,062)	8,835 (2,693)
1.40 (35.56)	*	651 (198)**	1,330 (405)**	2,476 (755)	3,366 (1,026)	5,984 (1,824)	7,913 (2,412)
1.45 (36.83)	*	634 (193)**	1,297 (395)**	2,415 (736)	3,279 (999)	5,836 (1,779)	7,719 (2,353)
1.50 (38.10)	*	619 (188)**	1,266 (385)**	2,022 (616)**	3,198 (975)	5,132 (1,564)	6,885 (2,099)

*Drum diameter is less than 10 times cable diameter (minimum bend radius). **Drum diameter is less than 20 times cable diameter (recommended bend radius). This chart pertains to round cable only, and may be further limited by the design of the cable.

Packaging

OSP Fiber/Copper Steel Reels

PREMISES COPPER
 PREMISES FIBER
 OSP FIBER
 OSP COMPOSITE
 CENTRAL OFFICE COPPER
 RDU/P/BUS OSP COPPER
 BELL OSP COPPER
 OSP COPPER WIRE
 CANADIAN OSP COPPER
 TECHNICAL INFO

OSP Fiber/Copper Steel Reel Dimensions

Reel Number	413	414	415	416	417	419	420	487
Flange (F) in	48	50	56	66	78	78	83	96
Traverse (T) in	18	25.4	25.4	25.4	25.4	30	39.8	44.5
Drum (D) in	30	30	30	36	42	42	42	42
Overall Width (W) in	24	31.375	31.375	31.625	32.375	37	46.75	52.875
Reel Weight lbs	216	250	282	360	566	610	782	1,400

OSP Fiber/Copper Steel Reel Capacities

Cable Nominal Diameter in (mm)	Cable Length ft (m)							
	0.35 (8.89)	9,866 (3,007)	15,649 (4,770)	23,894 (7,283)	27,367 (8,341)			
0.40 (10.16)	7,288 (2,221)	12,535 (3,821)	18,169 (5,538)	25,756 (7,850)	38,265 (11,663)			
0.45 (11.43)	5,701 (1,733)	9,374 (2,857)	14,342 (4,371)	19,931 (6,075)	29,604 (9,023)	35,013 (10,672)		
0.50 (12.70)	4,814 (1,467)	8,006 (2,440)	11,878 (3,620)	16,777 (5,114)	24,441 (7,450)	28,911 (8,812)		
0.55 (13.97)	3,706 (1,130)	6,312 (1,924)	9,807 (2,989)	13,382 (4,079)	20,099 (6,126)	23,778 (7,248)	37,297 (11,368)	
0.60 (15.24)	3,109 (948)	5,382 (1,640)	8,043 (2,452)	11,178 (3,407)	16,402 (4,999)	19,408 (5,916)	30,984 (9,444)	
0.65 (16.51)	2,598 (792)	4,581 (1,396)	6,528 (1,990)	9,897 (3,017)	13,961 (4,255)	16,523 (5,036)	26,766 (8,158)	
0.70 (17.78)	2,442 (744)	3,885 (1,184)	5,691 (1,735)	8,196 (2,498)	11,831 (3,606)	14,003 (4,268)	23,064 (7,030)	38,432 (11,714)
0.75 (19.05)	2,035 (620)	3,276 (999)	4,953 (1,510)	7,293 (2,223)	10,594 (3,229)	12,541 (3,822)	19,792 (6,033)	33,928 (10,341)
0.80 (20.32)	1,677 (511)	3,109 (948)	4,297 (1,310)	6,388 (1,947)	9,490 (2,893)	11,236 (3,425)	17,889 (5,453)	29,885 (9,109)
0.85 (21.59)	1,594 (486)	2,607 (795)	3,711 (1,131)	5,625 (1,715)	7,934 (2,418)	9,395 (2,864)	15,223 (4,640)	26,239 (7,998)
0.90 (22.86)	1,297 (395)	2,160 (658)	3,553 (1,083)	4,938 (1,505)	7,070 (2,155)	8,373 (2,552)	13,718 (4,181)	22,938 (6,992)
0.95 (24.13)	1,239 (378)	2,066 (630)	3,056 (931)	4,317 (1,316)	6,286 (1,916)	7,446 (2,270)	12,349 (3,764)	21,040 (6,413)
1.00 (25.40)	1,187 (362)	1,982 (604)	2,940 (896)	4,152 (1,266)	6,049 (1,844)	7,167 (2,185)	11,098 (3,383)	19,295 (5,881)
1.05 (26.67)	949 (289)	1,622 (494)	2,512 (766)	3,617 (1,102)	5,373 (1,638)	6,366 (1,931)	9,951 (3,033)	16,682 (5,085)
1.10 (27.94)	912 (278)	1,561 (476)	2,425 (739)	3,129 (954)	4,753 (1,449)	5,633 (1,717)	8,897 (2,712)	15,234 (4,643)
1.15 (29.21)	878 (268)	1,251 (381)	2,052 (625)	3,024 (922)	4,184 (1,275)	4,959 (1,512)	8,619 (2,627)	13,891 (4,234)
1.20 (30.48)	683 (208)	1,208 (368)	1,987 (606)	2,597 (792)	4,051 (1,235)	4,803 (1,464)	7,687 (2,343)	12,642 (3,853)
1.25 (31.75)	660 (201)	1,167 (356)	1,660 (506)	2,517 (767)	3,549 (1,082)	4,208 (1,283)	6,826 (2,081)	12,314 (3,753)
1.30 (33.02)	638 (194)	1,130 (344)	1,611 (491)	2,442 (744)	3,445 (1,050)	4,085 (1,255)	6,636 (2,023)	11,191 (3,411)
1.35 (34.29)	617 (188)	881 (269)	1,565 (477)	2,078 (633)	2,998 (914)	3,556 (1,084)	5,866 (1,788)	10,142 (3,091)
1.40 (35.56)	598 (182)	854 (260)	1,287 (392)	2,020 (616)	2,916 (889)	3,460 (1,055)	5,715 (1,742)	9,162 (2,793)
1.45 (36.83)	447 (136)	830 (253)	1,252 (382)	1,697 (517)	2,840 (866)	3,369 (1,027)	5,022 (1,531)	8,955 (2,729)
1.50 (38.10)	434 (132)	807 (246)	1,220 (372)	1,652 (504)	2,452 (747)	2,910 (887)	4,901 (1,494)	8,063 (2,458)
1.55 (39.37)	421 (128)	785 (239)	1,189 (362)	1,610 (491)	2,392 (729)	2,838 (865)	4,276 (1,303)	7,893 (2,406)
1.60 (40.64)	410 (125)	765 (233)	956 (292)	1,571 (479)	2,335 (712)	2,771 (845)	4,178 (1,273)	7,079 (2,158)
1.65 (41.91)	399 (122)	571 (174)	933 (284)	1,298 (396)	1,995 (608)	2,368 (722)	4,086 (1,245)	6,938 (2,115)
1.70 (43.18)	389 (119)	557 (170)	912 (278)	1,268 (386)	1,950 (594)	2,315 (706)	3,534 (1,077)	6,192 (1,887)
1.75 (44.45)	379 (116)	543 (166)	892 (272)	1,239 (378)	1,907 (581)	2,265 (690)	3,460 (1,055)	6,076 (1,852)
1.80 (45.72)	264 (80)	530 (162)	872 (266)	1,212 (369)	1,608 (490)	1,910 (582)	3,390 (1,033)	5,391 (1,643)
1.85 (46.99)	258 (79)	518 (158)	860 (207)	1,187 (362)	1,574 (480)	1,870 (570)	3,324 (1,013)	5,295 (1,614)
1.90 (48.26)	252 (77)	507 (155)	865 (203)	958 (292)	1,542 (470)	1,832 (558)	2,844 (867)	5,203 (1,586)
1.95 (49.53)	246 (75)	496 (151)	852 (199)	939 (286)	1,511 (461)	1,796 (547)	2,790 (850)	4,586 (1,398)
2.00 (50.80)	240 (73)	485 (148)	839 (195)	920 (280)	1,482 (452)	1,761 (537)	2,739 (835)	4,510 (1,375)
2.05 (52.07)	235 (72)	338 (103)	826 (191)	902 (275)	1,228 (374)	1,460 (445)	2,691 (820)	4,437 (1,352)
2.10 (53.34)	230 (70)	331 (101)	815 (187)	885 (270)	1,205 (367)	1,432 (436)	2,269 (692)	3,879 (1,182)
2.15 (54.61)	225 (69)	324 (99)	804 (184)	869 (265)	1,183 (361)	1,407 (429)	2,230 (680)	3,819 (1,164)
2.20 (55.88)	221 (67)	318 (97)	793 (181)	853 (259)	1,162 (354)	1,382 (421)	2,193 (668)	3,761 (1,146)
2.25 (57.15)	216 (66)	311 (95)	781 (144)	845 (209)	1,142 (348)	1,358 (414)	2,160 (658)	3,706 (1,129)
2.30 (58.42)	212 (65)	306 (93)	773 (132)	833 (256)	1,122 (342)	1,335 (407)	2,123 (647)	3,207 (977)
2.35 (59.69)	130 (40)	300 (91)	765 (130)	825 (196)	1,102 (336)	1,312 (400)	2,090 (640)	3,161 (963)
2.40 (60.96)	128 (39)	295 (90)	757 (127)	817 (193)	1,082 (330)	1,289 (393)	2,057 (633)	3,117 (950)
2.45 (62.23)	125 (38)	289 (88)	749 (115)	809 (190)	1,062 (324)	1,266 (386)	2,024 (616)	3,075 (937)
2.50 (63.50)	123 (37)	285 (87)	741 (123)	801 (187)	1,042 (318)	1,243 (380)	2,001 (611)	3,035 (925)
2.55 (64.77)	*	*	*	804 (184)	1,022 (312)	1,220 (374)	1,978 (600)	2,994 (911)
2.60 (66.04)	*	*	*	796 (181)	1,002 (306)	1,197 (368)	1,955 (594)	2,971 (905)
2.65 (67.31)	*	*	*	788 (135)	982 (252)	1,176 (362)	1,932 (588)	2,948 (900)
2.70 (68.58)	*	*	*	780 (133)	962 (246)	1,155 (356)	1,909 (582)	2,925 (894)
2.75 (69.85)	*	*	*	772 (131)	942 (240)	1,134 (350)	1,886 (576)	2,902 (888)
2.80 (71.12)	*	*	*	764 (129)	922 (234)	1,113 (344)	1,863 (570)	2,879 (882)
2.85 (72.39)	*	*	*	756 (127)	902 (228)	1,092 (338)	1,840 (564)	2,856 (876)
2.90 (73.66)	*	*	*	748 (126)	882 (222)	1,071 (332)	1,817 (558)	2,833 (870)
2.95 (74.93)	*	*	*	740 (124)	862 (216)	1,050 (326)	1,794 (552)	2,810 (864)
3.00 (76.20)	*	*	*	732 (122)	842 (210)	1,029 (320)	1,771 (546)	2,787 (858)
3.05 (77.47)	*	*	*	724 (121)	822 (204)	1,008 (314)	1,748 (540)	2,764 (852)
3.10 (78.74)	*	*	*	716 (120)	802 (200)	987 (308)	1,725 (534)	2,741 (846)
3.15 (80.01)	*	*	*	708 (119)	782 (194)	966 (302)	1,702 (528)	2,718 (840)
3.20 (81.28)	*	*	*	700 (118)	762 (188)	945 (296)	1,679 (522)	2,695 (834)
3.25 (82.55)	*	*	*	692 (117)	742 (182)	924 (290)	1,656 (516)	2,672 (828)
3.30 (83.82)	*	*	*	684 (116)	722 (176)	903 (284)	1,633 (510)	2,649 (822)
3.35 (85.09)	*	*	*	676 (115)	702 (170)	882 (278)	1,610 (504)	2,626 (816)
3.40 (86.36)	*	*	*	668 (114)	682 (164)	861 (272)	1,587 (500)	2,603 (810)
3.45 (87.63)	*	*	*	660 (113)	662 (158)	840 (266)	1,564 (494)	2,580 (804)
3.50 (88.90)	*	*	*	652 (112)	642 (152)	819 (260)	1,541 (488)	2,557 (800)

*Drum diameter is less than 12 times the cable diameter (minimum bend radius).
 This chart applies to round cable only. Chart shows maximum calculated capacity. Actual available cable lengths may be less than capacity. Capacity is based on 2 inch clearance.

OSP Copper Wood Reel Dimensions

Flange (F) in	30	36	44	46	52	58	62	65	72	78	84	96
Traverse (T) in	18	18	18	25	25	25	30	30	36	40	40	40
Drum (D) in	12	14	20	20	20	20	24	32	36	39	42	48
Overall Width (W) in	21	21	21	28	29	29	34	35	41	45	46	46
Reel Weight lbs	46	64	108	165	203	245	288	368	614	699	797	1,175

OSP Copper Wood Reel Capacities

Cable O.D. in (mm)	Cable Length ft (m)											
	0.40 (10.16)	3,723 (1,135)	5,844 (1,781)	8,738 (2,663)	13,498 (4,114)	19,316 (5,888)	25,088 (7,647)	33,422 (10,187)	32,580 (9,930)			
0.45 (11.43)	2,908 (886)	4,757 (1,450)	6,802 (2,073)	10,654 (3,247)	15,170 (4,624)	19,545 (5,957)	26,054 (7,941)	25,720 (7,839)	37,698 (11,490)			
0.50 (12.70)	2,472 (753)	3,848 (1,173)	5,576 (1,700)	8,838 (2,694)	12,337 (3,760)	16,303 (4,969)	21,714 (6,618)	21,006 (6,403)	31,148 (9,494)			
0.55 (13.97)	1,883 (574)	3,078 (938)	4,541 (1,384)	7,297 (2,224)	9,930 (3,027)	12,887 (3,928)	17,191 (5,240)	17,033 (5,192)	25,619 (7,809)	32,856 (10,015)	39,025 (11,895)	
0.60 (15.24)	1,580 (482)	2,664 (812)	3,658 (1,115)	5,975 (1,821)	8,378 (2,554)	11,105 (3,385)	14,804 (4,512)	14,431 (4,399)	20,898 (6,370)	28,333 (8,636)	32,542 (9,919)	
0.65 (16.51)	1,317 (401)	2,078 (633)	3,177 (968)	4,834 (1,473)	7,023 (2,141)	9,535 (2,906)	12,710 (3,874)	12,174 (3,711)	17,794 (5,424)	23,225 (7,079)	28,199 (8,595)	36,623 (11,163)
0.70 (17.78)	1,254 (382)	1,774 (541)	2,754 (839)	4,218 (1,286)	6,269 (1,911)	8,142 (2,482)	10,858 (3,310)	10,202 (3,110)	15,077 (4,595)	20,946 (6,384)	24,383 (7,432)	32,041 (9,766)
0.75 (19.05)	1,038 (316)	1,698 (518)	2,379 (725)	3,670 (1,119)	5,183 (1,580)	6,902 (2,104)	9,214 (2,808)	9,087 (2,770)	13,514 (4,119)	17,895 (5,454)	21,007 (6,403)	27,978 (8,528)
0.80 (20.32)	847 (258)**	1,445 (440)	2,046 (624)	3,181 (970)	4,598 (1,401)	6,221 (1,896)	8,299 (2,530)	8,090 (2,466)	12,116 (3,693)	15,185 (4,628)	18,003 (5,487)	24,353 (7,423)
0.85 (21.59)	814 (248)**	1,218 (371)	1,748 (533)	2,743 (836)	4,069 (1,240)	5,601 (1,707)	7,469 (2,277)	7,193 (2,192)	10,118 (3,084)	13,652 (4,161)	16,277 (4,961)	21,102 (6,432)
0.90 (22.86)	654 (199)**	1,174 (358)**	1,679 (512)	2,639 (804)	3,589 (1,094)	4,653 (1,418)	6,220 (1,896)	6,381 (1,945)	9,018 (2,749)	12,263 (3,738)	14,713 (4,485)	19,217 (5,857)
0.95 (24.13)	630 (192)**	980 (299)**	1,425 (434)	2,264 (690)	3,151 (960)	4,153 (1,266)	5,554 (1,693)	5,645 (1,721)	8,020 (2,444)	10,999 (3,352)	13,289 (4,050)	17,499 (5,334)
1.00 (25.40)	609 (186)**	948 (289)**	1,374 (419)	2,187 (667)	3,053 (931)	4,034 (1,230)	5,383 (1,641)	4,974 (1,516)	7,733 (2,357)	9,845 (3,001)	11,985 (3,653)	15,925 (4,854)
1.05 (26.67)	*	781 (238)**	1,155 (352)	1,861 (567)	2,670 (814)	3,593 (1,095)	4,797 (1,462)	4,361 (1,329)	6,866 (2,093)	8,787 (2,678)	10,789 (3,288)	13,583 (4,140)
1.10 (27.94)	*	758 (231)**	1,118 (341)	1,804 (550)	2,318 (707)	3,186 (971)	4,258 (1,298)	4,219 (1,286)	6,071 (1,850)	7,816 (2,382)	9,689 (2,953)	13,145 (4,007)
1.15 (29.21)	*	612 (187)**	927 (283)	1,519 (463)	2,255 (687)	2,810 (856)	3,761 (1,146)	3,682 (1,122)	5,342 (1,628)	7,573 (2,308)	8,674 (2,644)	11,911 (3,630)
1.20 (30.48)	*	*	899 (274)	1,476 (450)	1,944 (593)	2,743 (836)	3,664 (1,117)	3,571 (1,088)	5,181 (1,579)	6,715 (2,047)	7,736 (2,358)	10,769 (3,282)
1.25 (31.75)	*	*	873 (266)	1,225 (373)	1,895 (578)	2,406 (733)	3,219 (981)	3,096 (944)	4,534 (1,382)	6,523 (1,988)	7,512 (2,291)	9,708 (2,959)
1.30 (33.02)	*	*	712 (217)	1,193 (364)	1,618 (493)	2,352 (717)	3,143 (958)	3,010 (917)	4,408 (1,344)	5,759 (1,755)	6,679 (2,036)	8,723 (2,659)
1.35 (34.29)	*	*	693 (211)**	1,162 (354)**	1,580 (482)**	2,049 (625)**	2,743 (836)	2,588 (789)	3,832 (1,168)	5,052 (1,540)	6,502 (1,982)	8,492 (2,588)
1.40 (35.56)	*	*	675 (206)**	948 (289)**	1,545 (471)**	2,007 (612)**	2,683 (818)	2,520 (768)	3,732 (1,138)	4,921 (1,500)	6,523 (1,988)	8,492 (2,588)
1.45 (36.83)	*	*	537 (164)**	925 (282)**	1,304 (397)**	1,733 (528)**	2,323 (708)	2,458 (749)	3,640 (1,109)	4,799 (1,463)	5,609 (1,710)	7,419 (2,261)
1.50 (38.10)	*	*	524 (160)**	904 (276)**	1,276 (389)**	1,699 (518)**	2,274 (693)	2,091 (637)	3,138 (956)	4,182 (1,275)	4,932 (1,503)	6,618 (2,017)
1.55 (39.37)	*	*	511 (156)**	884 (269)**	1,250 (381)**	1,453 (443)**	1,950 (594)	2,041 (622)	3,064 (934)	4,085 (1,245)	4,818 (1,469)	6,465 (1,971)
1.60 (40.64)	*	*	500 (152)**	703 (214)**	1,039 (317)**	1,426 (435)**	1,911 (582)	1,995 (608)	2,995 (913)	3,528 (1,075)	4,205 (1,282)	5,737 (1,749)
1.65 (41.91)	*	*	489 (149)**	688 (210)**	1,019 (311)**	1,400 (427)**	1,875 (572)**	1,674 (510)	2,554 (778)	3,450 (1,052)	4,113 (1,254)	5,612 (1,711)
1.70 (43.18)	*	*	*	*	*	*	1,841 (561)**	1,638 (499)	2,499 (762)	3,376 (1,029)	4,026 (1,227)	4,949 (1,508)
1.75 (44.45)	*	*	*	*	*	*	1,559 (475)**	1,603 (489)	2,447 (746)	3,307 (1,008)	3,483 (1,062)	4,846 (1,477)
1.80 (45.72)	*	*	*	*	*	*	1,531 (467)**	1,571 (479)	2,058 (627)	2,825 (861)	3,412 (1,040)	4,750 (1,448)
1.85 (46.99)	*	*	*	*	*	*	1,505 (459)**	1,295 (395)	2,017 (615)	2,770 (844)	3,345 (1,020)	4,157 (1,267)
1.90 (48.26)	*	*	*	*	*	*	1,255 (383)**	1,269 (387)	1,978 (603)	2,717 (828)	3,282 (1,000)	4,078 (1,243)
1.95 (49.53)	*	*	*	*	*	*	1,235 (376)**	1,245 (379)	1,941 (592)	2,289 (698)	2,808 (856)	4,003 (1,220)
2.00 (50.80)	*	*	*	*	*	*	1,215 (370)**	1,222 (372)	1,906 (581)	2,246 (685)	2,757 (840)	3,931 (1,198)
2.05 (52.07)	*	*	*	*	*	*	*	1,201 (366)	1,574 (480)	2,206 (672)	2,708 (825)	3,410 (1,039)
2.10 (53.34)	*	*	*	*	*	*	*	966 (294)	1,546 (471)	2,168 (661)	2,661 (811)	3,350 (1,021)
2.15 (54.61)	*	*	*	*	*	*	*	949 (289)**	1,520 (463)	2,131 (650)	2,245 (684)	3,294 (1,004)
2.20 (55.88)	*	*	*	*	*	*	*	933 (284)**	1,494 (455)	1,763 (537)	2,207 (673)	3,240 (988)
2.25 (57.15)	*	*	*	*	*	*	*	917 (280)**	1,470 (448)	1,734 (529)	2,171 (662)	2,778 (847)
2.30 (58.42)	*	*	*	*	*	*	*	902 (275)**	1,185 (361)	1,706 (520)	2,137 (651)	2,734 (833)
2.35 (59.69)	*	*	*	*	*	*	*	888 (271)**	1,166 (355)	1,679 (512)	2,104 (641)	2,692 (821)
2.40 (60.96)	*	*	*	*	*	*	*	875 (267)**	1,148 (350)	1,653 (504)	1,742 (531)	2,651 (808)
2.45 (62.23)	*	*	*	*	*	*	*	680 (207)**	1,130 (344)**	1,629 (497)	1,716 (523)	2,241 (683)
2.50 (63.50)	*	*	*	*	*	*	*	670 (204)**	1,114 (340)**	1,605 (489)	1,690 (515)	2,207 (673)
2.55 (64.77)	*	*	*	*	*	*	*	660 (201)**	1,097 (334)**	1,295 (395)	1,666 (508)	2,176 (663)
2.60 (66.04)	*	*	*	*	*	*	*	650 (198)**	1,082 (330)**	1,277 (389)	1,642 (500)	2,145 (654)
2.65 (67.31)	*	*	*	*	*	*	*	641 (195)**	1,067 (325)**	1,259 (384)**	1,619 (493)	2,115 (645)
2.70 (68.58)	*	*	*	*	*	*	*	*	832 (254)**	1,241 (378)**	1,598 (487)	2,087 (636)
2.75 (69.85)	*	*	*	*	*	*	*	*	820 (250)**	1,224 (373)**	1,291 (393)	2,059 (628)
2.80 (71.12)	*	*	*	*	*	*	*	*	809 (247)**	1,208 (368)**	1,273 (388)	1,708 (521)
2.85 (72.39)	*	*	*	*	*	*	*	*	798 (243)**	1,193 (364)**	1,257 (383)**	1,685 (514)
2.90 (73.66)	*	*	*	*	*	*	*	*	788 (240)**	1,178 (359)**	1,240 (378)**	1,664 (507)
2.95 (74.93)	*	*	*	*	*	*	*	*	777 (237)**	919 (280)**	1,225 (373)**	1,643 (501)
3.00 (76.20)	*	*	*	*	*	*	*	*	768 (234)**	907 (276)**	1,210 (369)**	1,623 (495)
3.05 (77.47)	*	*	*	*	*	*	*	*	*	896 (273)**	1,195 (364)**	1,603 (489)
3.10 (78.74)	*	*	*	*	*	*	*	*	*	885 (270)**	1,181 (360)**	1,584 (483)
3.15 (80.01)	*	*	*	*	*	*	*	*	*	874 (266)**	1,167 (356)**	1,282 (391)
3.20 (81.28)	*	*	*	*	*	*	*	*	*	864 (263)**	911 (278)**	1,267 (386)
3.25 (82.55)	*	*	*	*	*	*	*	*	*	854 (260)**	900 (274)**	1,252 (382)**
3.30 (83.82)	*	*	*	*	*	*	*	*	*	*	890 (271)**	1,238 (377)**
3.35 (85.09)	*	*	*	*	*	*	*	*	*	*	880 (268)**	1,224 (373)**
3.40 (86.36)	*	*	*	*	*	*	*	*	*	*	870 (265)**	1,210 (369)**
3.45 (87.63)	*	*	*	*	*	*	*	*	*	*	860 (262)**	1,197 (365)**
3.50 (88.90)	*	*	*	*	*	*	*	*	*	*	851 (259)**	1,184 (361)**
3.55 (90.17)	*	*	*	*	*	*	*	*	*	*	*	1,172 (357)**
3.60 (91.44)	*	*	*	*	*	*	*	*	*	*	*	1,160 (354)**
3.65 (92.71)	*	*	*	*	*	*	*	*	*	*	*	1,148 (350)**

*Drum diameter is less than 12 times the cable diameter (minimum bend radius). **Drum diameter is less than 15 times the cable diameter (recommended bend radius). This chart applies to round cable only. Chart shows maximum calculated capacity. Actual available cable lengths may be less than capacity. Capacity is based on 2 inch clearance.